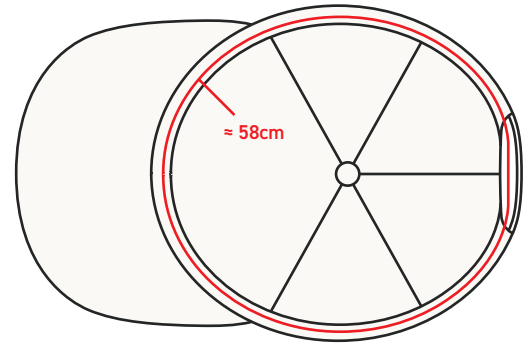
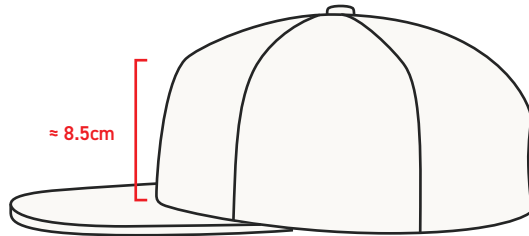
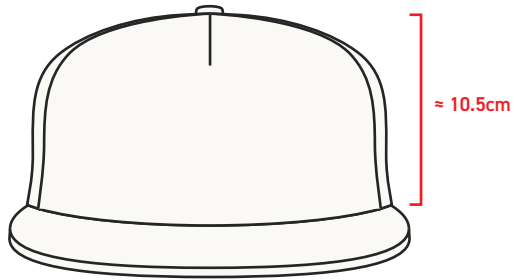
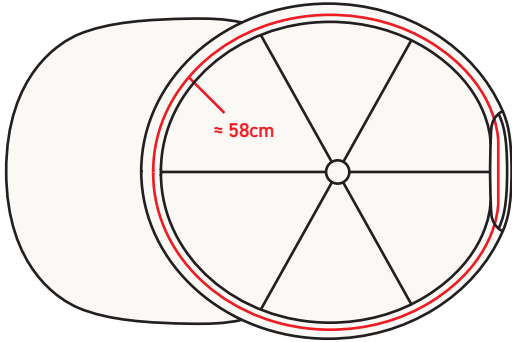
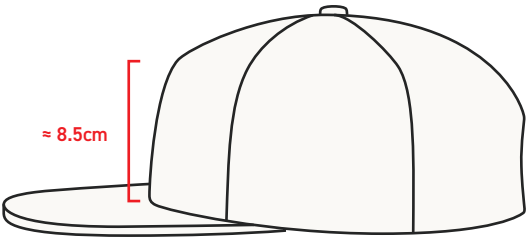
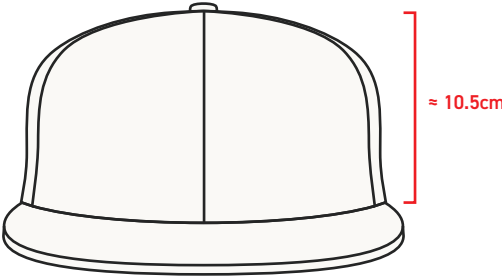


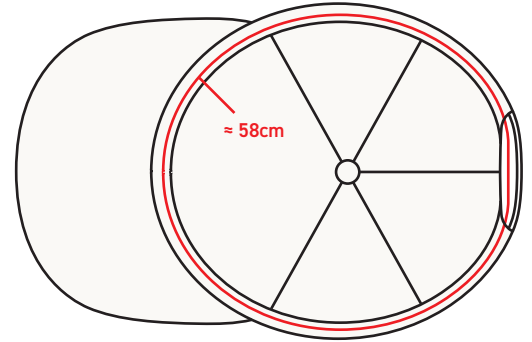
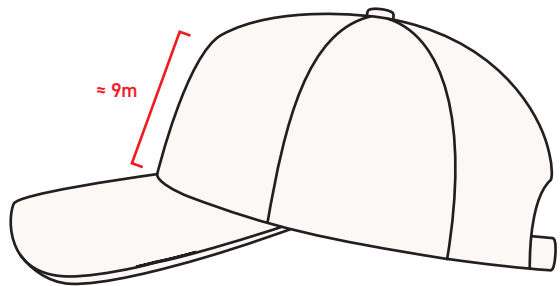
# 500 - 5 PANEL UNSTRUCTURED FLAT BILL



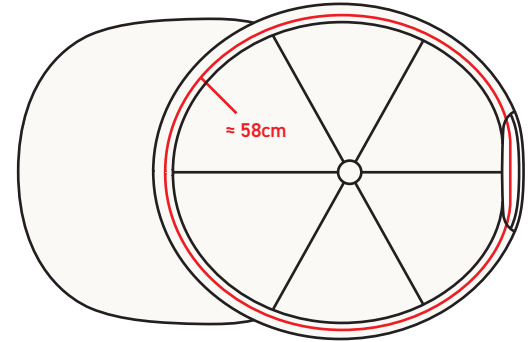
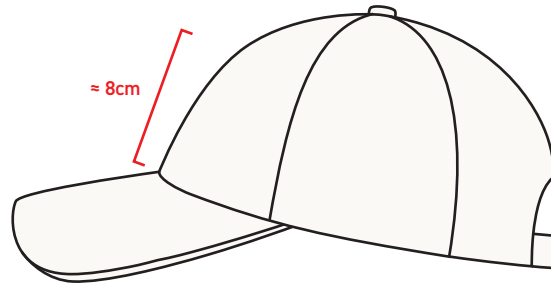
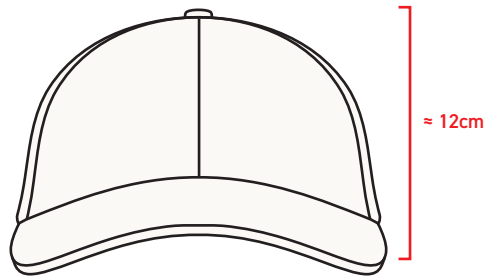
# 600 - 6 PANEL UNSTRUCTURED FLAT BILL



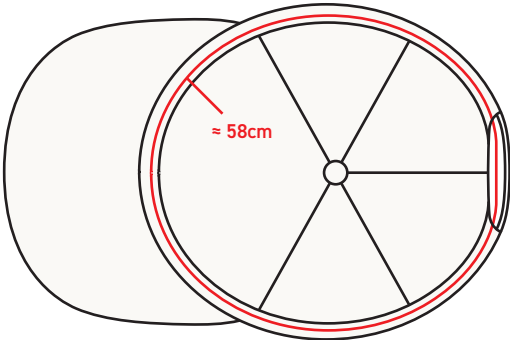
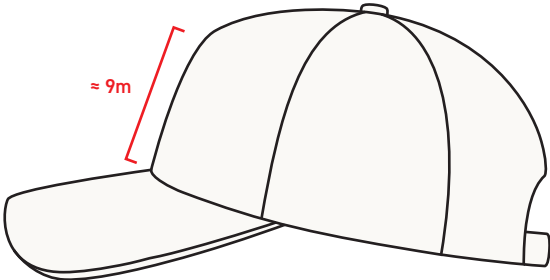
# 501 - 5 PANEL UNSTRUCTURED CURL BILL



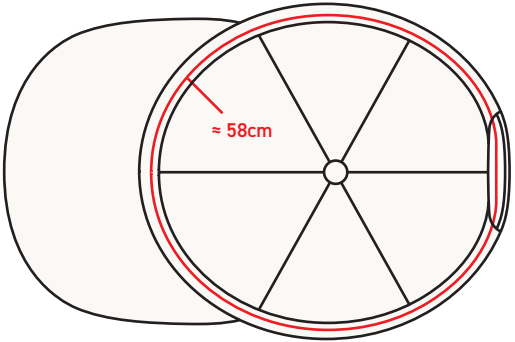
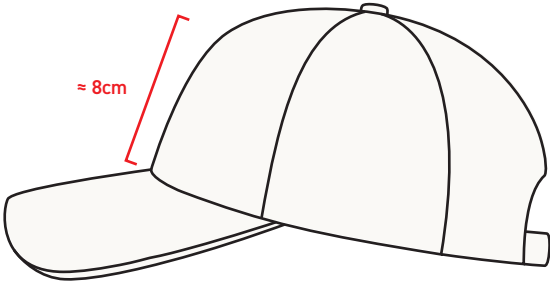
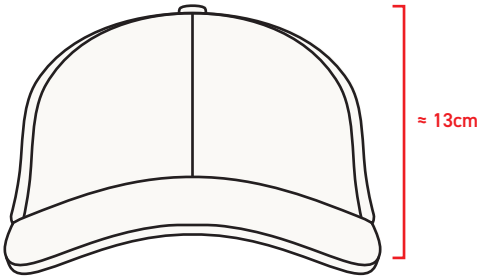
# 601 - 6 PANEL UNSTRUCTURED CURL BILL



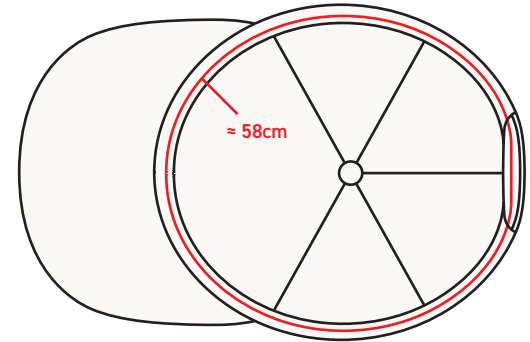
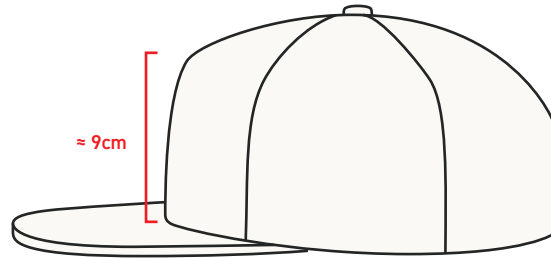
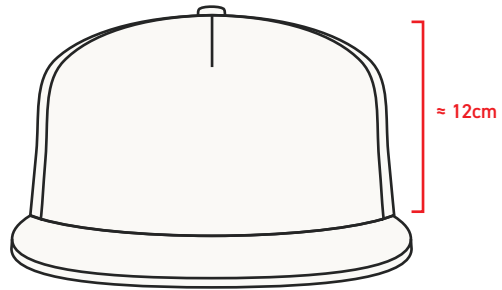
# 511 - 5 PANEL STRUCTURED CURL BILL



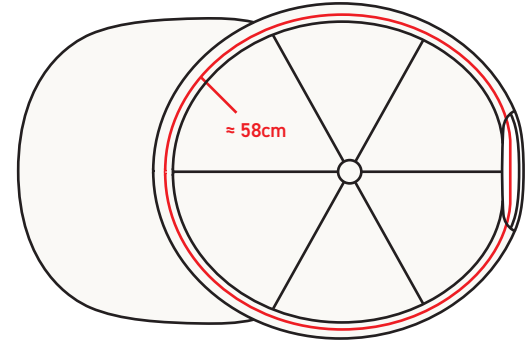
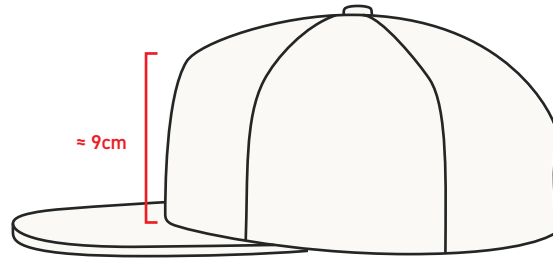
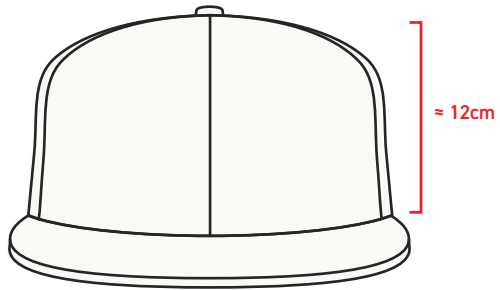
# 611 - 6 PANEL STRUCTURED CURL BILL



# 510 - 5 PANEL STRUCTURED FLAT BILL

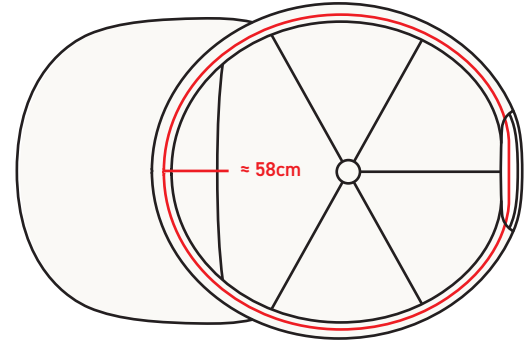
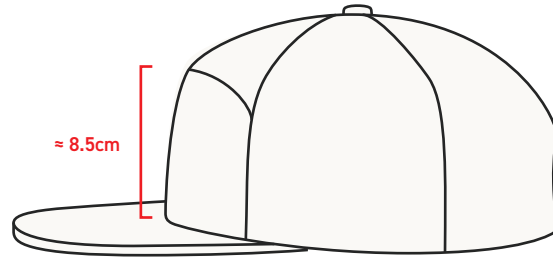
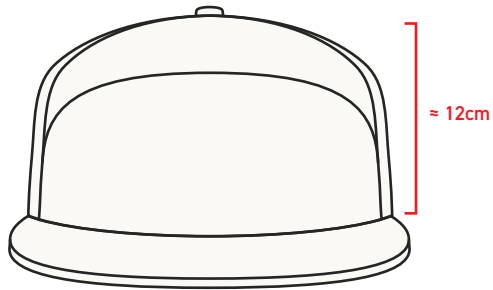


# 611 - 6 PANEL STRUCTURED FLAT BILL

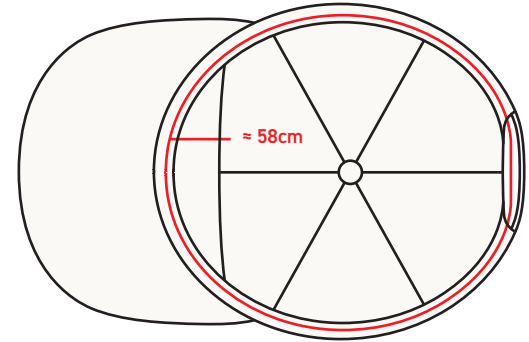
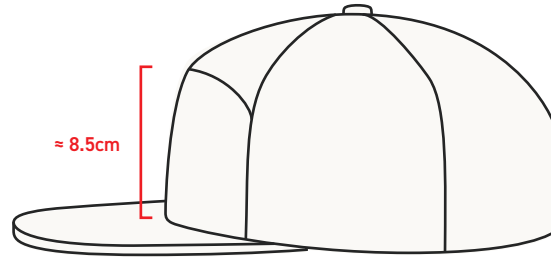
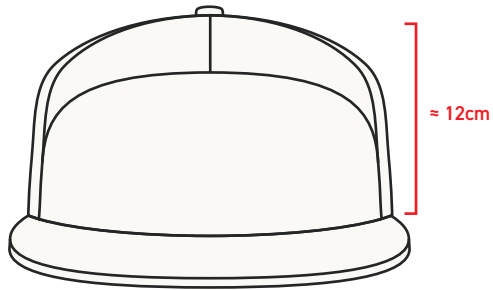




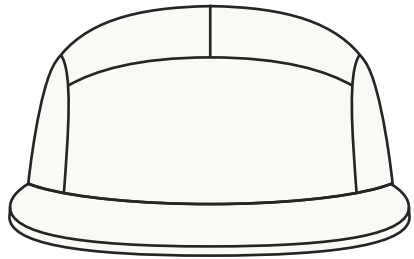
# 650 - 6 PANEL STRUCTURED SPLIT CAP



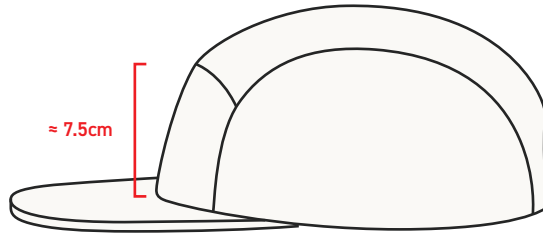
# 750 - 7 PANEL STURCUTRED SPLIT CAP



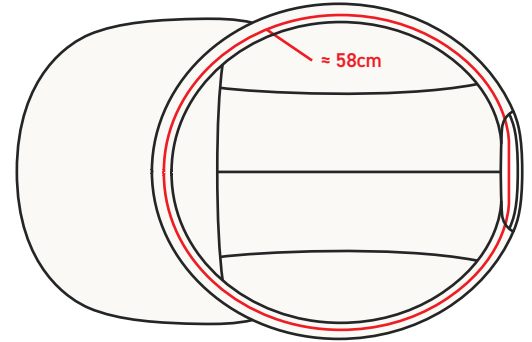
# 550 - 5 PANEL CAMP CAP



≈ 11mm



≈ 7.5cm



≈ 58cm